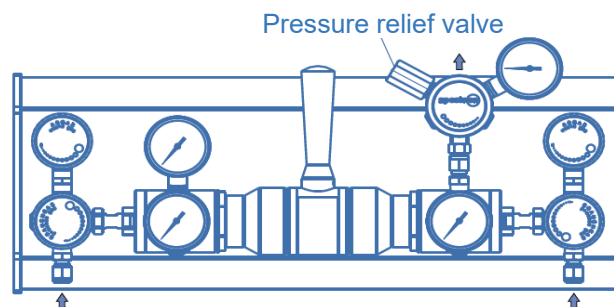


# Pressure control panel BM56-2U

spectro lab



BM56-2U



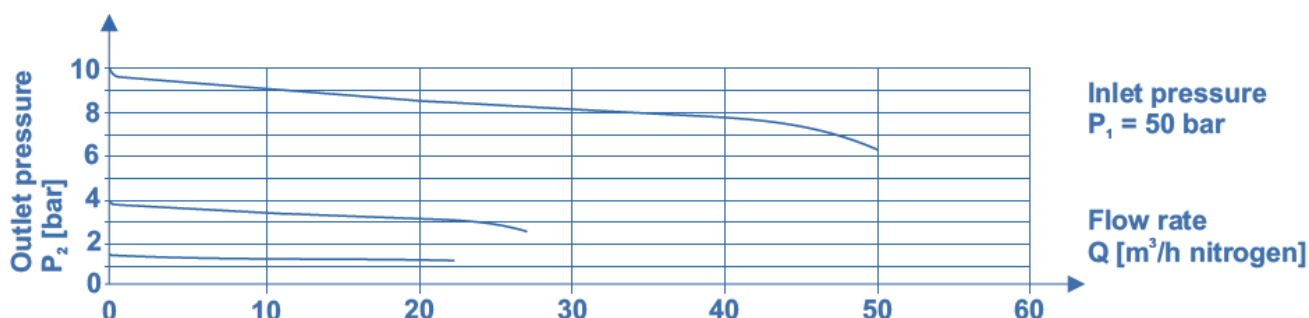
## Product features

- 2-stage wall- and cabinet-mounting pressure control panels with automatic change-over function
- For non-corrosive gases up to quality 6.0
- Modular design (to be extended to 2x2, 2x3 etc. cylinders)
- Filter at the process gas inlet valve
- Diaphragm-type shut-off valves optimised for low internal volume with On/Off position indicator
- Suitable for ECD-applications
- 2-stage pressure control with 3 diaphragm-type pressure regulators with high control accuracy, anti-vibration device and integrated relief valve
- Minimised difference of process pressure after automatic change-over
- Laboratory-style design for easy installation
- Approved for use with oxygen
- Suitable for inlet pressure values up to 300 bar
- Compact design especially for installation into safety cabinets for gas cylinders

## Technical data

|   |                                    |
|---|------------------------------------|
| <b>Type</b>                             | double-stage                       |
| <b>Inlet pressure <math>P_1</math></b>  | max. 300 bar                       |
| <b>Outlet pressure <math>P_2</math></b> | max. 1,5 / 4 / 10 bar              |
| <b>Materials</b>                        |                                    |
| Body regulator and valves:              | chrome-plated brass                |
| Valve seat regulator:                   | PA 11                              |
| Valve seat valves:                      | PVDF                               |
| Diaphragm regulator:                    | Hastelloy C276                     |
| Diaphragm valves:                       | Hastelloy C276                     |
| Soft goods:                             | EPDM, FKM                          |
| Filter regulator:                       | sintered SS 1.4404                 |
| <b>Connections</b>                      | SS compression ring fitting 6x1 mm |
| Inlet:                                  | 1/4"-NPT female                    |
| Outlet:                                 |                                    |
| <b>Temperature range</b>                | -20 to +60°C                       |
| <b>Leak rate</b>                        |                                    |
| to atmosphere:                          | $\leq 10^{-8}$ mbar l/s He         |
| via seat:                               | $\leq 10^{-6}$ mbar l/s He         |
| <b>Weight</b>                           | 8,7 kg                             |

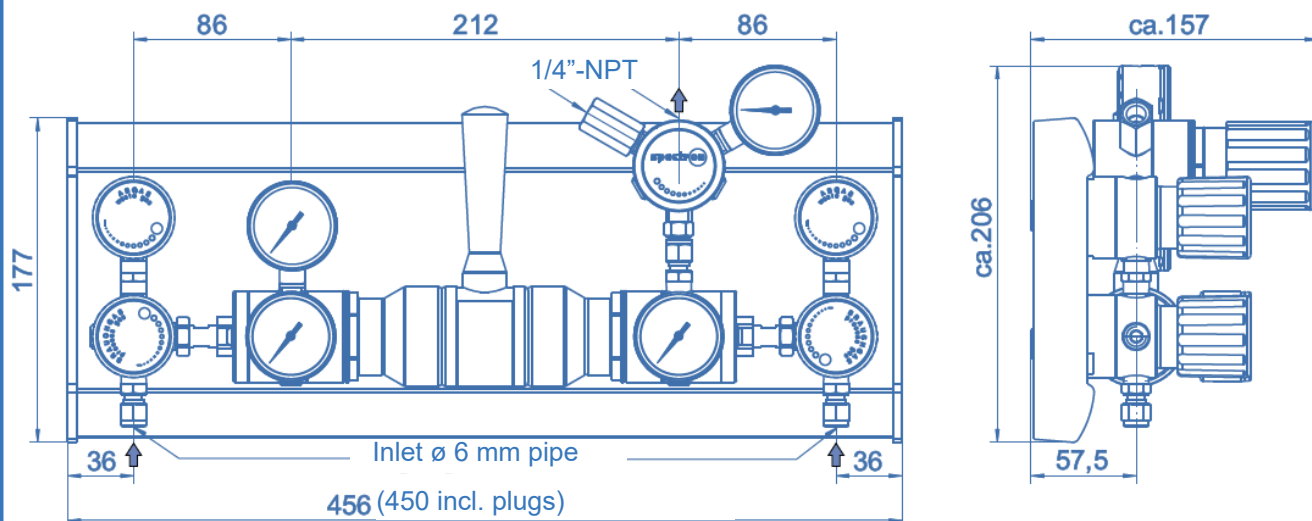
Flow curves BM56-2U



# Pressure control panel BM56-2U



## Dimensions and connections



Ordering information: Pressure control panel BM56-2U

**BM56 - 2U - 300 - 1,5 - V - V - M - M - V - N2**

### Inlet pressure $P_1$

|     |              |
|-----|--------------|
| 100 | max. 100 bar |
| 200 | max. 200 bar |
| 300 | max. 300 bar |

### Outlet pressure $P_2$

|     |              |
|-----|--------------|
| 1,5 | max. 1,5 bar |
| 4   | max. 4 bar   |
| 10  | max. 10 bar  |

### Process gas inlet HPI

### High press. waste gas HPV

|    |                      |
|----|----------------------|
| V  | valve (manual)       |
| VP | pneumatic valve (NC) |

### Gas type

Please specify gas type!

### Outlet adapter

|    |                      |
|----|----------------------|
| 0  | without valve        |
| V  | valve (manual)       |
| VP | pneumatic valve (NC) |

### Outlet press. indication

### Inlet pressure indication

|    |                      |
|----|----------------------|
| M  | pressure gauge       |
| K  | contact press. gauge |
| PT | pressure transmitter |