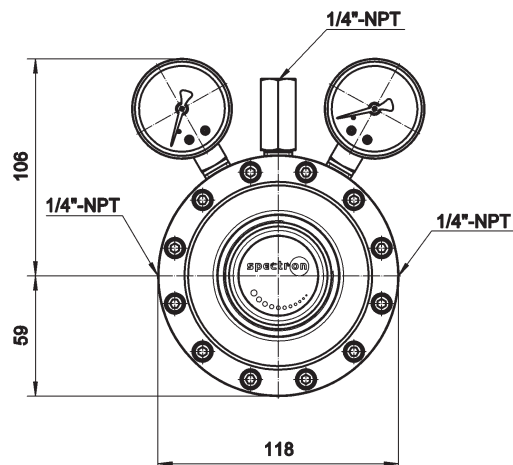


Cylinder pressure regulator FE121

spectro**cem**



Pressure regulator FE121 SP



Dimensions

Product features

- Single-stage cylinder pressure regulator
- Simple and safe gas withdrawal from gas cylinders, for corrosive gases and gas mixtures up to quality 6.0 up to 25 bar vapour pressure.
- For corrosive gases and gas mixtures with >1% corrosive components we recommend the use of a purging device (FE121 SP)
- New laboratory-style design
- Ergonomically designed
- Filter at the regulator inlet
- High control accuracy due to large diaphragm
- Integrated relief valve
- Available with purge device FE121 SP
- Simple outlet pressure limitation by handwheel
- Powder-coated bonnet

Technical data

Inlet pressure P_1	max. 25 bar
Outlet pressure P_2	0.1 to 1.5 bar (higher values upon request)

Materials	
Body:	SS 1.4404 (SS 316L)
Diaphragm:	Hastelloy C276
Valve seat:	PCTFE
Inlet gasket:	PCTFE

Inlet Cylinder connection

Outlet 1/4"-NPT female

Temperature range -20°C to +60°C

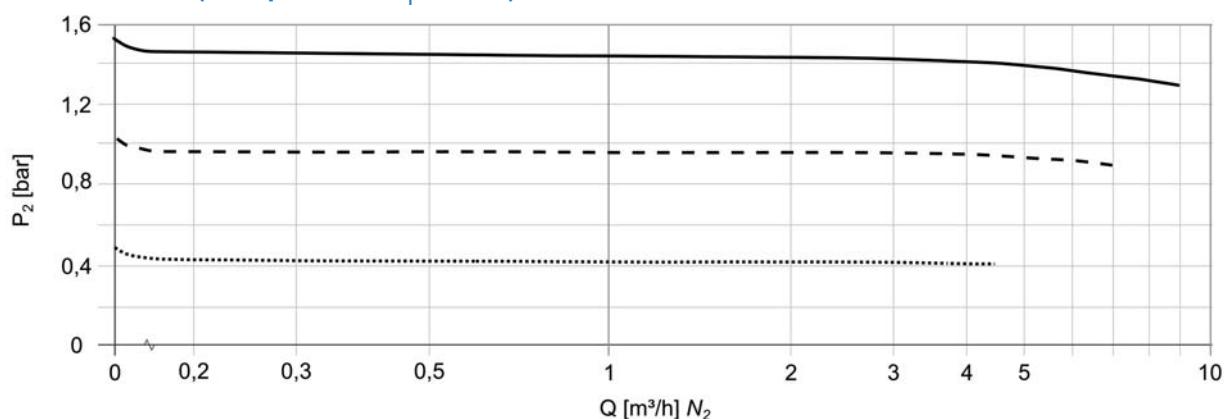
Leak rate $\leq 10^{-8}$ mbar l/s He

Flow rate Q max. 9 m³/h*

Weight 2.1 kg

* see flow curves

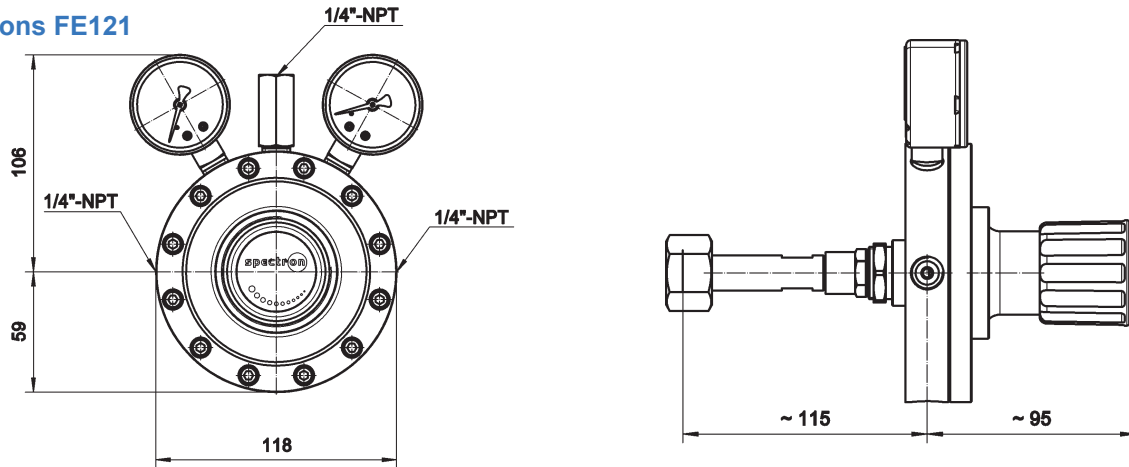
Flow curves FE121 (inlet pressure $P_1 = 4$ bar)



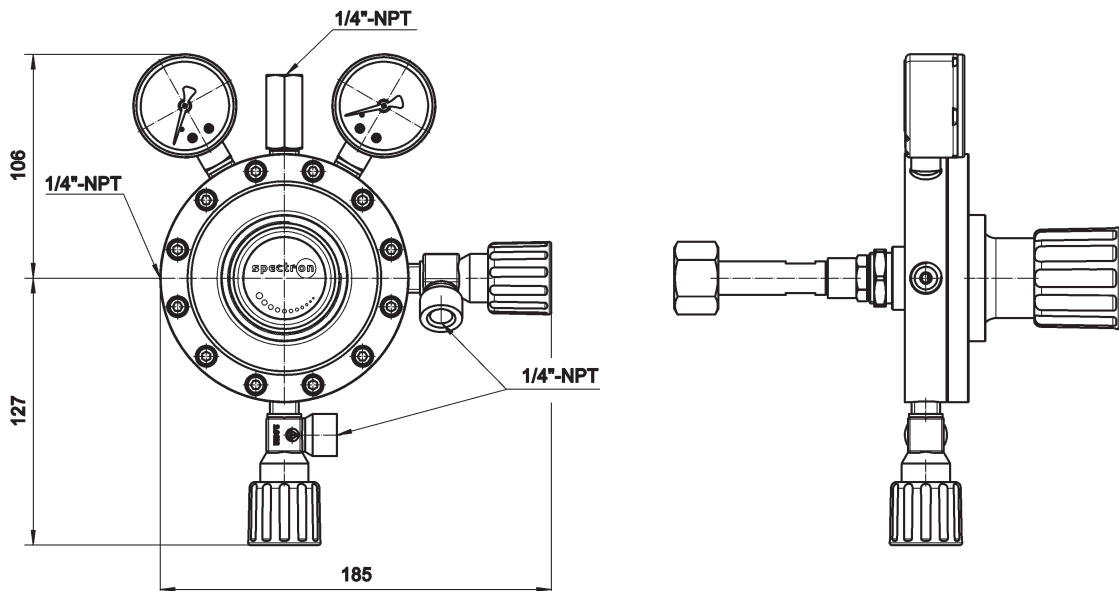
Cylinder pressure regulator FE121

spectro**cem**

Dimensions FE121



Dimensions FE121 SP



Ordering information: Pressure regulator FE121

FE121 - 25 - 1,5 - DIN6 - NH3

Type

121 single-stage without purge device
121 SP single-stage with purge device

Inlet pressure P_1

25 max. 25 bar
 others upon request

Outlet pressure P_2

1,5 max. 1,5 bar
 others upon request

Gas type

Please specify gas type!

Cylinder connection

Detailed description of the cylinder connection including the relevant standard and the connection number (e.g. BS no. 3)