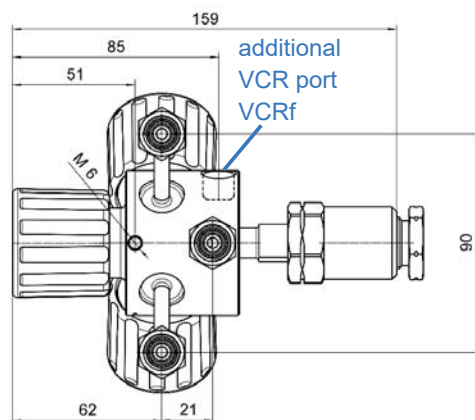


Purge block SBE3



SBE3-H-H-H-VCRf-0-DIN1



Product features

- Purge block for hazardous gases and ultra high purity gases from grade 6.0
- Minimized purge volume of only 2,6 cm³
- Capillary tube allows purging into the cylinder valve
- Metal-to-metal seal to atmosphere
- All gas-wetted parts made of stainless steel SS316L, Hastelloy C276 and PCTFE or PVDF respectively
- Fully functional even when valves are evacuated
- Minimum particle generation, as no parts are exposed to friction and no spring is in the gas-wetted area
- Embedded soft seat seal made of PCTFE permits frequent operation without loss of tightness
- Modular design for easy replacement of internal parts
- Clearly legible position indication (on/off)
- Electro-polished surfaces (gas wetted)
- 100 % Helium leak tested
- Shorter purge cycles due to minimized dead space
- Assembly in clean room class ISO 5.0

Technical data

Working pressure

| | |
|------------------|-------------------------------|
| Manual valve: | max. 300 bar |
| Pneumatic valve: | max. 25 / 100 / 200 / 300 bar |

Materials

| | |
|-------------------------|-------------------------------|
| Body: | Stainless steel 1.4404 |
| Diaphragms: | Hastelloy C276 |
| Other gas-wetted parts: | Stainless steel 1.4404 |
| Valve seat: | PCTFE or PVDF (gas depending) |

Surface roughness

| | |
|-------------------|-----------------------------------|
| (gas-wetted area) | $R_{a,max} \leq 0.25 \mu\text{m}$ |
| | $R_{a,Avg} \leq 0.18 \mu\text{m}$ |

Temperature range

-30°C to +60°C

Leak rates

| | |
|----------------|----------------------------|
| to atmosphere: | $\leq 10^{-9}$ mbar l/s He |
| via seat: | $\leq 10^{-6}$ mbar l/s He |

c_v-value

$c_v = 0.13$ ($k_v = 0.11$)

Nominal size

DN 3

Weight

1.7 kg
with manual valves

Dimensions with pneumatic actuator (in mm)

| Pneumatic actuator | NC | | | NO | | |
|--------------------|-----|-----|-----|----|-----|-----|
| | A | B | C | A | B | C |
| PN 25 | 82 | 85 | 97 | 74 | 77 | 86 |
| PN 100 | 87 | 91 | 114 | 80 | 83 | 103 |
| PN 200 | 93 | 98 | 123 | 86 | 90 | 112 |
| PN 300 | 104 | 110 | 140 | 97 | 102 | 129 |

Technical data pneumatic actuators

Actuator pressure

6 to 8 bar

Actuator connector

for hose \varnothing 4 mm

Pneumatic function

- normally closed (NC)
- normally open (NO)

Option

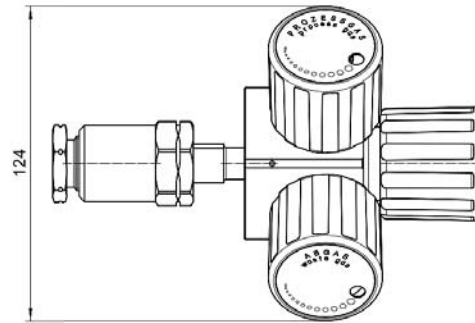
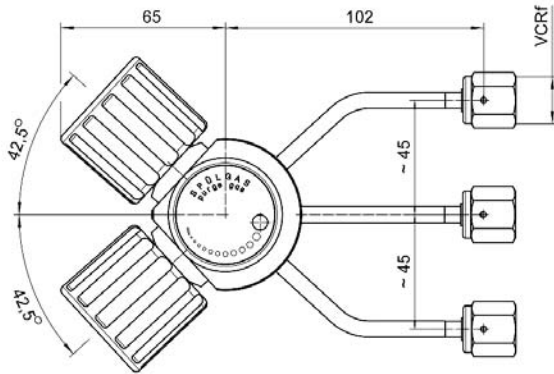
Inductive proximity switch

Purge block SBE3

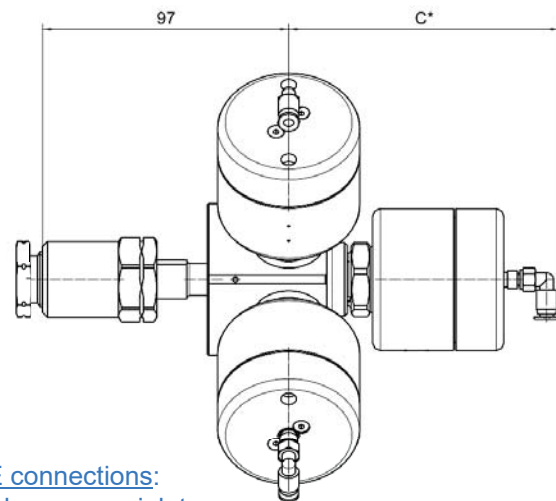
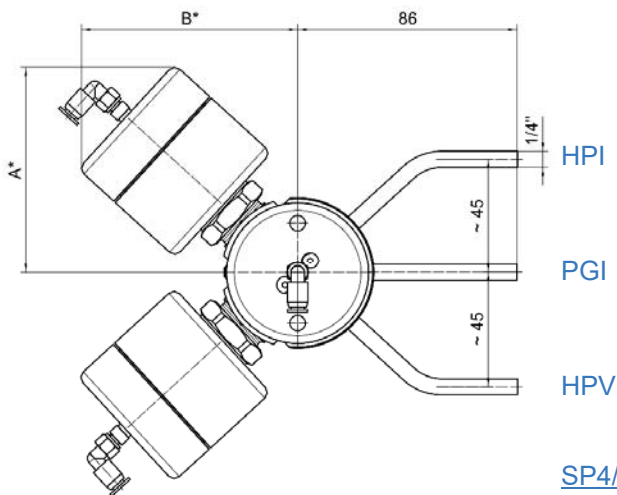
spectro pur

Dimensions

SBE3-H-H-H-VCRf-0



SBE3-PN25NC-PN25NC-PN25NC-OD1/4-0



*see table on page 1

SP4/6-SBE connections:

HPI High pressure inlet
PGI Purge gas inlet
HPV High pressure vent

Ordering information: Purge block SBE3

SBE3 - PN25NC - H - H - VCRf - B - DIN6

Process gas valve

Purge gas valve

Waste gas valve

H manual valve
PN pneumatic actuator PN 25/100/200/300
PNI pneumatic actuator PN 25/100/200/300 with inductive proximity switch
N... pneumatic actuator NO/NC

Cylinder connection

Detailed description of the cylinder connection

Additional VCR port

0 1/4"-VCR female
B plug
M pressure gauge
K contact pressure gauge
PT pressure transmitter

In- / Outlets

VCRm 1/4"-VCR male
VCRf 1/4"-VCR female
OD 1/4 tube stub 1/4"